

MasterView 358

Maximum security, high-performance
mesh fencing systems

MasterView 358

Maximum Security Mesh Fencing Systems

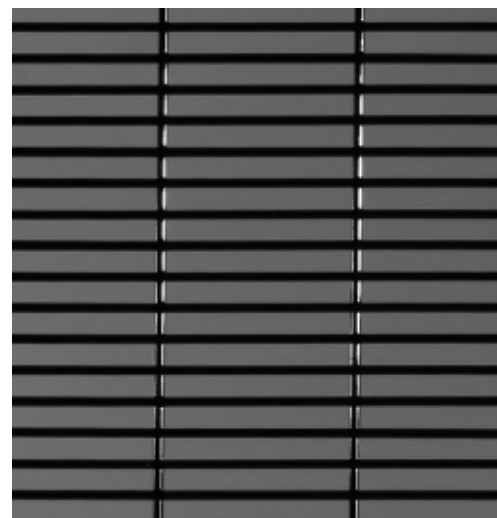
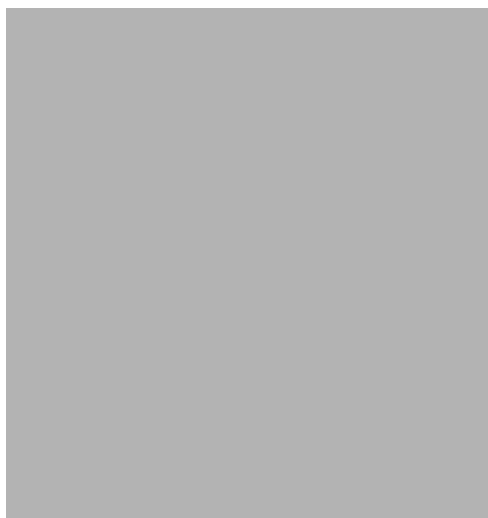
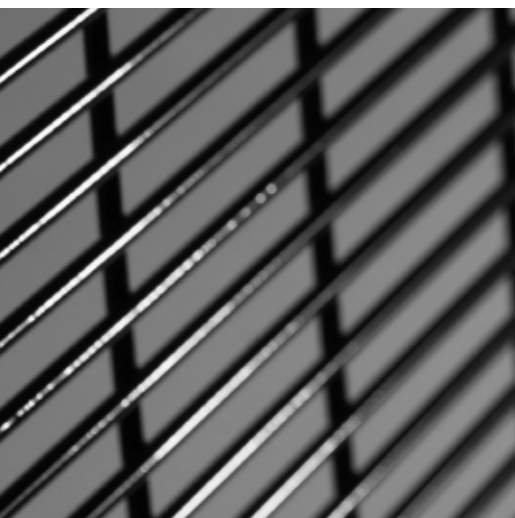
MasterView 358 is the definitive mesh fencing system for perimeter protection, offering maximum security and anti-corrosion protection - all backed by an expert customer service team.

MasterView 358 is suitable for use in many locations where security is paramount and particularly where good visibility has to be maintained, such as prisons and airports.

The design of this system not only makes it the most secure within the MasterView range, it creates the most formidable perimeter solution available today.

Features and Benefits

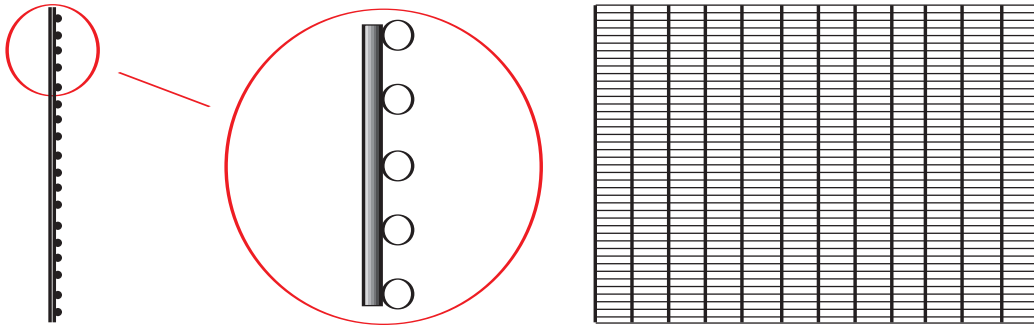
Features	Benefits
■ 12.7 x 76.2mm mesh aperture	■ Virtually impossible to climb, penetrate or cut. Minimal visual impact
■ Posts are 3mm - Minimum SHS	■ MasterView posts are the strongest of any comparable system
■ MasterFix - Continuous clamp bar fixing	■ Most secure mesh-fixing method. No threaded inserts in posts which can spin making installation difficult
■ Permacone M8 security fixings	■ Anti-vandal and tamper resistant
■ MasterView 358 is available in powder coated or galvfan finishes	■ MasterView 358 specifications can be tailored to suit most budgets
■ MasterView is manufactured in the UK	■ Extensive stocks are available for immediate despatch on Peart Fencing transport with crane offloading



MasterView 358

12.7 x 76.2mm mesh size provides maximum security with minimal visual impact.
Horizontal wires 4mm, vertical wires 4mm.

MasterView 358 features a 'finger and foothold-proof' wire configuration that creates a barrier which is, virtually impossible to climb, penetrate or cut by conventional means.



MasterView 358 - Specification

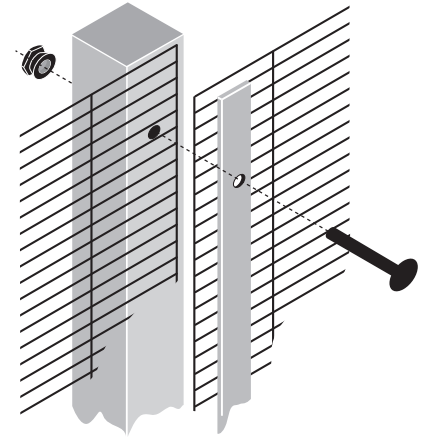
MasterView 358	2.1	2.4	3.0
Panel height - mm	2134	2438	2997
Panel width - m	2515		
Mesh Size - mm	12.7 x 76.2		
Horizontal wire Ø - mm	4		
Vertical wire Ø - mm	4		
Panel weight - kg	50	57	70
Posts - mm	60 x 60 x 3	60 x 60 x 3	80 x 80 x 3
Post Length - m	2.8	3.1	4.0
Clamp bar - mm	40 x 6 slotted		
Fixings - mm	8 galv bolt c/w Permacone security nut		
No of Fixings	8	9	11



MasterFix - Continuous clamp bar fixing

The most secure method of securing panels to posts. A continuous 40 x 6mm flat bar clamps the mesh panels together.

M8 fixings pass through the posts and are secured from the inside of the fence by means of anti-vandal and tamper resistant Permacone security fixings.



Posts

Square hollow section posts provide additional strength and safety to the MasterView 358 range. Plastic post-tops prevent water ingress. Baseplated, cranked and bespoke post specifications are also available.

Gates

Gates are available for all MasterView Mesh Fencing Systems.

Finishes

MasterView 358 panels are available in two finishes:

Galvan or Pre-galvanised and polyester powder-coated (BS 1722 (BS 6497) Part 16 compliant) providing an architectural coating of 60 microns minimum which greatly extends the life of the fence.

MasterView posts and clamp bars are available hot dip galvanised to BS EN 1461 or galvanised and powder-coated.

Contact Us

For further information of how MasterView 358 can help you with your site security requirements, please contact Peart Fencing:

Telephone: 01429 852 352

Fax: 01429 262 179

Email: enquiries@peartfencing.co.uk

Web: www.peartfencing.co.uk

Other high-quality Peart Fencing Systems include:

MasterView Profile, Twin and Linear

Contemporary, mesh fencing systems

PeartRailings

The versatile, decorative security solution

MasterView Sports

High-performance sports court solutions

PeartPedestrian Barriers

For effective walkway identification and protection

PeartPalisade

Dependable, proven and cost effective fencing



The Contractors' Choice

Peart Fencing Baltic Works Baltic Street Hartlepool TS25 1PW

Tel: 01429 852 352 Fax: 01429 262 179

Email: enquiries@peartfencing.co.uk Web: www.peartfencing.co.uk

Peart Fencing is part of The Peart Group www.peartgroup.com